



**TAG-A-LONG, 30 TON**  
**30TA587154**

PRD: 00587154 A.1



**TAG-A-LONG, 30 TON**  
3 AXLE, MAXIMUM PAYLOAD 60,000 LBS



**HIGH QUALITY STEEL**



Constructed with T-1 100K PSI yield strength Steel. The High Tensile Steel ensures the designed camber is retained, and allows for a longer product service life.

**WHEEL OPTIONS**



All Globe trailers come with standard HUB piloted disc wheels. Wheels are also available in all Aluminum or Outer Aluminum.

**TIE DOWNS**



D-rings on each side of the deck make it easier to secure loads to the trailer.

**LANDING GEAR**



2 speed Landing Gear, allows for 160,000 lbs static load.

**LIGHTING SYSTEM**



All Lighting is LED and mounted in rubber grommets to DOT standards.

**COLOR OPTIONS**



Globe Trailers can powder coat to the color of your choice.

**MOUNTED SPARE TIRE**



Optional spare tire that mounts securely at the side of the drawbar

**HYDRAULIC RAMPS**



Hydraulic ramp upgrade available for easier use.

**POWER PACK**



Power pack option for rear hydraulic ramps.

**SUSPENSION**



Heavy Duty tandem suspension.

**TOOL BOX**



Lockable tool box with anti theft provisions available.

**DECKING OPTIONS**



**Oak:** Standard.  
**Apitong:** Best strength to weight ratios of natural woods.  
**Rumber:** Composite which is impervious to fluids, mud, oil and UV rays.

**LIFT AXLE**



Lift Axle distributes the load carrying capacity on the other axles, also increases the tire & axle life over wear & tear. Keep lifted in unloaded, and grounded in loaded conditions.

**COLOR CODED HOSES**



Color coded air hoses allow for easy trouble shooting and maintenance.

**WARRANTY**



Globe Trailer's 5 year structural warranty on all lowboys is the best in the industry. Most competitors offer only a 5 year warranty. This shows how committed Globe Trailers is to it's customers.

**HEAVY DUTY PINTLE EYE**



3" Pintle eye, with 4 adjustable height positions, with 2 heavy duty safety chains and grab hooks.

**STEMCO WHEEL WARRANTY**



5 year wheel end warranty. Guardian wheel seals, Pro-Torq spindle nuts and Sentinel hub caps.

**POLYURETHANE VS RUBBER BUSHING**

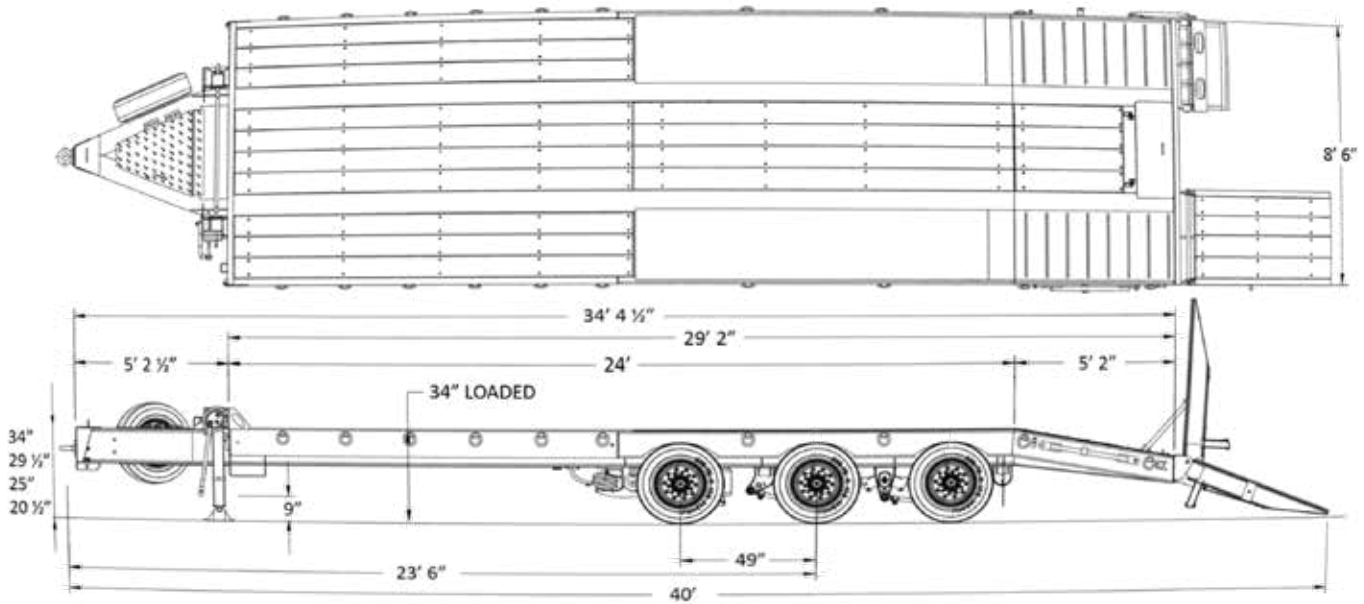


Reduced Maintenance	Increased Maintenance
Increased Trailer Lifetime	Needs Replacement
Increased Trailer Performance	Reduces Trailer Performance
Weather Resistant	Damaged from Weather



All Globe Trailers are 100% powder coat finished. The entire process takes place at Globe's manufacturing facility. This eliminates the possibility of contamination occurring in transit between process phases. The process starts with sandblasting the trailer to near white, preheating the trailer steel in a dedicated, gas fired oven to optimum bonding temperature and applying an electrostatically charged zinc rich primer. The trailer then goes back in the oven to allow the primer to bond. After the primer has bonded, a top coat chosen from one of Globe Trailers' 188 color options is applied before once more going back in the oven to cure. The result is a durable, easily cleaned finish that protects the trailer from corrosion and ensures a long service life.





**Trailer Model: GTTU303-35-24**

**Weight: Apx. : 13190 ± lbs**

Overall Length	Overall Width	Deck Length	Deck Height	Drawbar Length
34' 4 1/2"	8' 6"	24'	34" LOADED	5' 2 1/2"

Frame	
Main Beam	14 x 8 @ 43#
Main Beam Centers	41"
Side Rails	10" Channel
Crossmembers	6" IB
Spacing	12"
Bumper	10" Channel
Header	8" Channel
# of D-Rings	10 Ea Side
Drawbar	
Tool Box	Lockable w/ Steel Grating
Hitch Type	3" Pintle Hitch
Safety Chains with Hooks	
Beavertail & Ramps	
Beavertail 62"	
Rear Ramps 36" x 60"	
Hydraulic	
Apitong Tread	
Electrical	
Lights	LED S/T/T Only
Connector	7 Way Connector
Decking/Flooring	
Main Decking	1.75", Apitong Full Width
Beavertail Flooring	Steel Covered S-Plate w/Grousers

Axles, Suspension, & Running Gear	
# of Axles	3
Axle Spacing	49"
Axle Capacity	25,000 lbs
Brakes	12 1/4" x 7 1/2" - 25K
ABS	4S2M
Axle 1	Super Lift Type 30 Non-ABS
Axle 2	Fixed Type 30/30 ABS
Axle 3	Fixed Type 30/30 ABS
Suspension	Axle 1 - Air Ride Axle 2 & 3 - Spring Ride 25K
Landing Gear	Dual 2-Speed 50K Drop Leg Jacks - 17"
Tires & Rims	
Tires	235/75R x 17.5 "H"
Rims	6.75 X 17.5 Hub Piloted Steel
Spare Tire Mount, Spare Tire & Rim	
Hydraulics	
Self Contained	
Electric/Hydraulic w/Charge Kit	
Finish	
Sandblast and Powder Coat	
Mud Flaps & Reflective Tape	

**Dealer:**